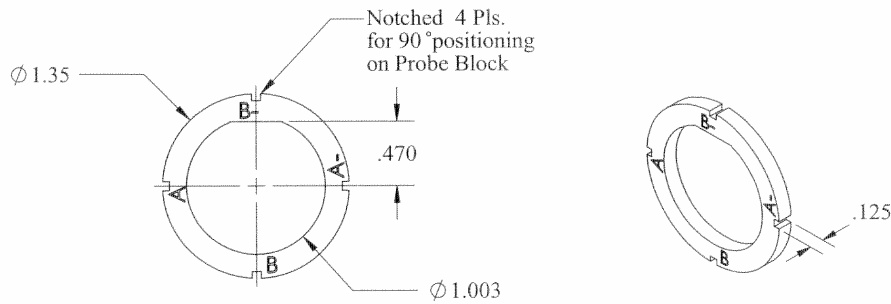


PR100 Orientation Ring

PR100

Designed for use with Probes having a 1.00" diameter shaft, or as replacement part for blocks having a 1.00" Bore.



PR125 Orientation Ring

PR125

Designed for use with Probes having a 1.25" diameter shaft, or as replacement part for blocks having a 1.25" Bore.

