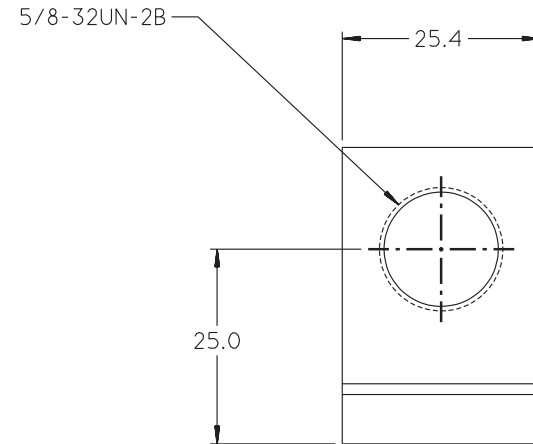
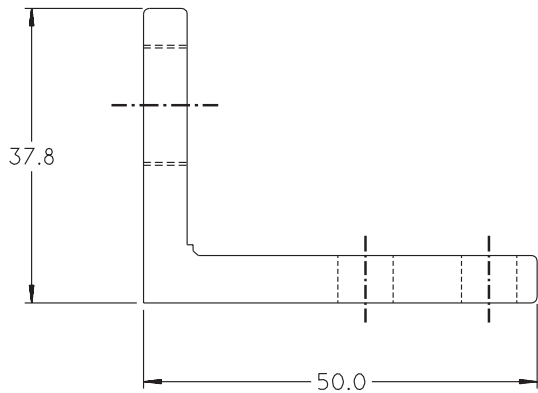
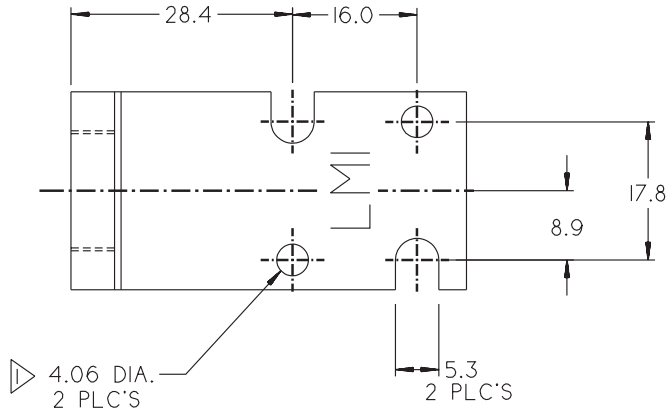


This drawing contains designs and other information which are the property of LMI Corporation. This drawing may not, in whole or in part be duplicated or disclosed or used for manufacture of the part disclosed herein, without the prior written permission of LMI Corporation. LMI is dedicated to continuous product development and therefore reserves the right to modify the design without notice. Contact LMI to verify current design specifications.

Tracing Template



▷ READY TO BE REAMED FOR
4.76 DIA. DOWEL

LMI
Corporation
Phone # (810) 714-5811

TITLE: LMI264 BRACKET	
(ALSO KNOWN AS THE ST8-B)	
SHEET: 1 of 1	REV DATE: 08/04/98