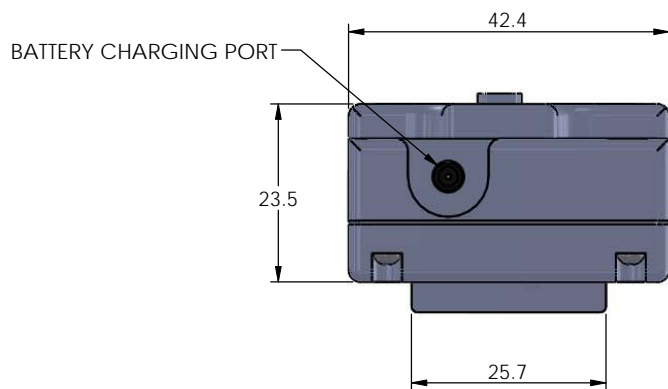
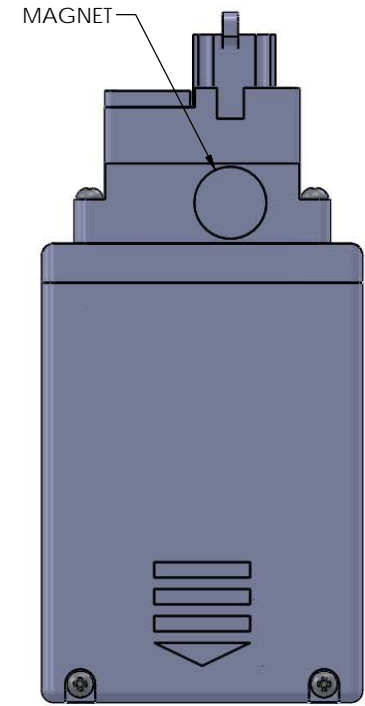
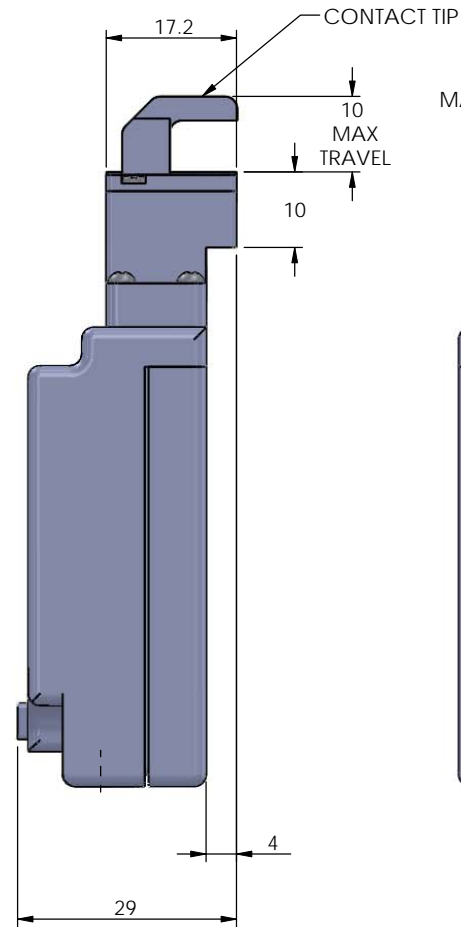
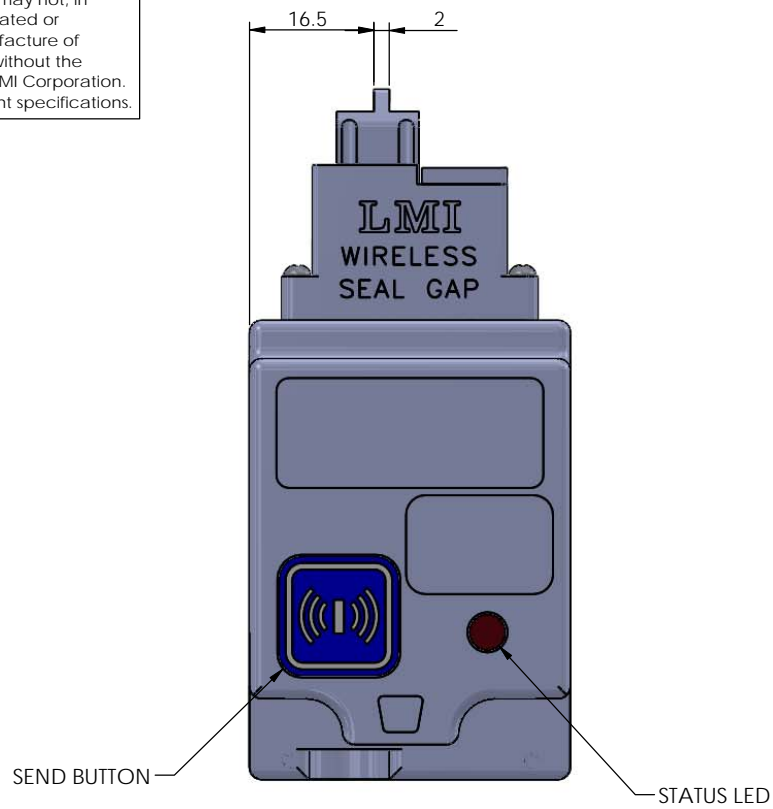


This drawing contains designs and other information which are property of LMI Corporation. This drawing may not, in whole or in part, be duplicated or disclosed or used for manufacture of the part disclosed herein, without the prior written permission of LMI Corporation. Contact LMI to verify current specifications.



PRODUCT TEMPLATE

TITLE: LMI 238W MINI, (10-20MM) RANGE			
PRODUCT TEMPLATE			
MAT'L:		MAT'L P/N: N/A	
DR:	RE	APP:	DATE: 2/17/11
SHEET: 1 OF 1	SCALE: 1:1	PART NO: 238W REF	

DIMENSIONAL TOLERANCES UNLESS OTHERWISE SPECIFIED:
 MILLIMETERS: 1 PLACE +/- 0.3MM 2 PLACE +/- 0.15MM 3 PLACE +/- 0.015MM 4 PLACE +/- 0.005MM
 INCHES: 2 PLACE +/- 0.01 3 PLACE +/- 0.005 4 PLACE +/- 0.0005
 ANGLE +/- 15 MINUTES (25 DEGREES)
 CLEAN & EVEN BREAK ALL EDGES .015 UNLESS OTHERWISE SPECIFIED



PHONE #(810) 714-5811